

HZ-PQ3系列三相功率隔离变送器

(HZ-PQ3 series three-phase power isolation transducer)

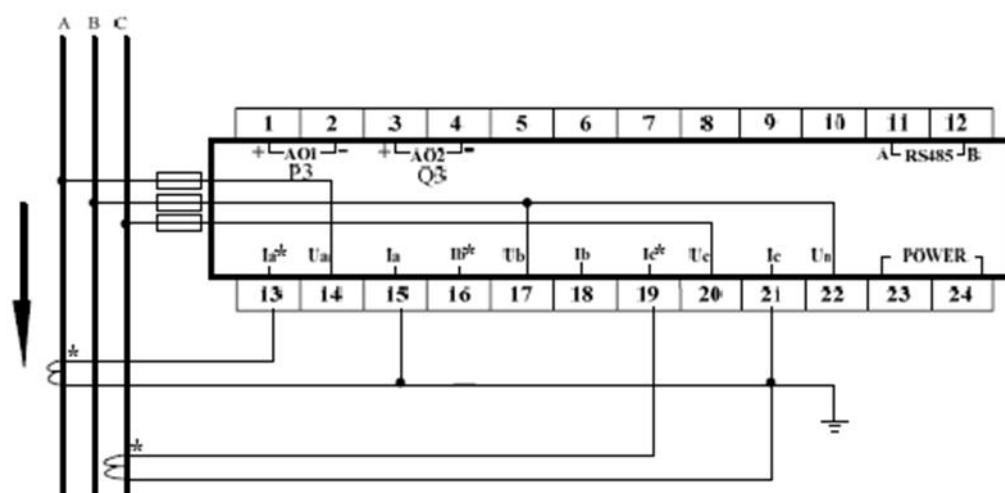
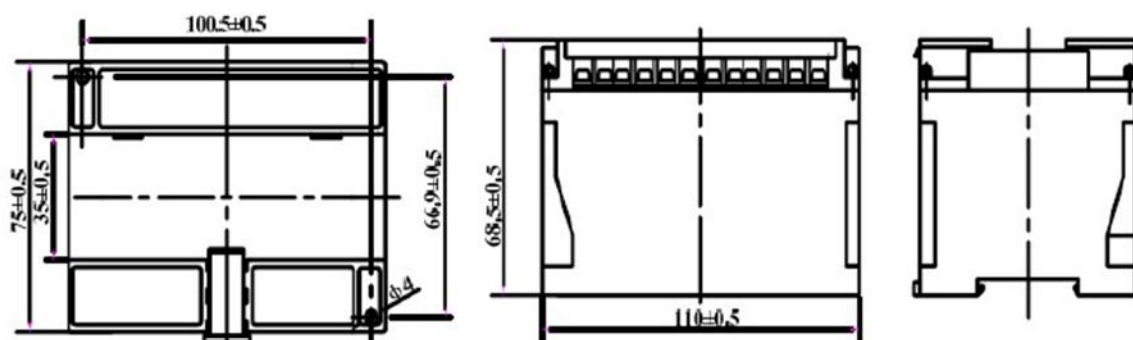
HZ-PQ3 系列三相功率隔离变送器的初、次级之间是绝缘的，可用于测量三相有功、无功功率以及三相有功无功组合功率。

(HZ-PQ3 series three -phase power transducer between primary and secondary is insulated, can be used for the measurement of three phase active power and reactive power, three-phase active and reactive power combination)

电气参数 (Electrical characteristics)					
	型号 Type	HZ*/*-P3 三相有功功率 three phase active power	HZ*/*-Q3 三相无功功率 three phase reactive power	HZ*/*-PQ3 三相有功无功组 合功率 three-phase active and reactive power combination	
V _{pn}	额定输入电压 (AC) Rated input voltage	100/220/400			V
I _{pn}	额定输入电流 (AC) Rated input current	1/5			A
P _m	测量功率范围 Measuring range	120%			P _n
R _m	测量电阻 Measuring resistance	0-500			Ω
I _{out}	输出电流 Rated output current	4~20 (0~5V 可选) RS232\RS485 输出可选			mA
I _o	零电流失调 Zero offset current	<4±0.1			mA
V _c	供电电压 Supply voltage	+24±5%			V
I _c	静态功耗 Current consumption	≤30+I _{out}			mA
I _{ot}	零点温漂 Thermal drift of I _o	≤±0.01			mA/ ℃
F	带宽 Frequency bandwidth(-3dB)	50/60			Hz
ε _G	精度 Accuracy	0.5			%
ε _L	线性度 Linearity	0.2			%
Tr	响应时间 Response time	≤350			mS

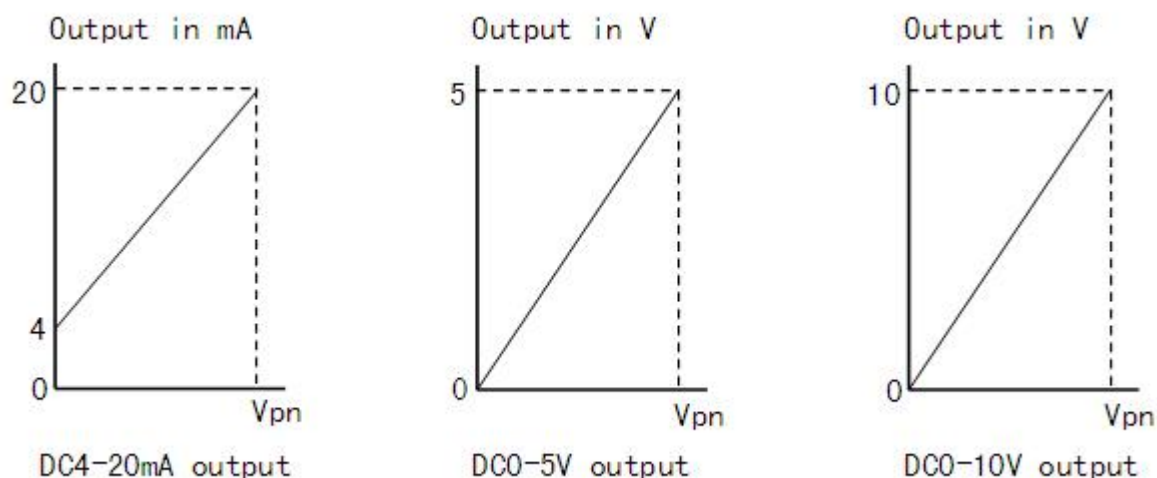
Vd	绝缘电压 Insulation voltage	2.0	KV
Ta	工作温度 Ambient operating temperature	-10~+60	°C
Ts	储存温度 Ambient storage temperature	-25~+70	°C
M	重量 mass	430	g
	标准 Standards	GB/T 13850-1998\IEC688:1992\UL94-Vo\ROHS	

机械参数 Dimensions (mm)



端子标准: 5.08mm, 24pin 接线式连接器

线性关系 (Linear)



使用说明 Remarks

- 1、产品命名: HZ*/*-P3(Q3)-P*0*D
(Product name: HZ*/*-P3(Q3)-P*0*D)
HZ 代表品牌 */*代表输入电流/输入电压
(HZ : brand ; */* : input current/voltage)
P3 三相有功功率, Q3 三相无功功率, PQ3 三相有功无功组合功率
(P3: Three phase active power; Q3: Three phase reactive power; PQ3: three-phase active and reactive power combination)
P*代表电源: P1: +12~15V; P2: +24V; P3: AC220V; P4: 自定义
(P* : power supply; P1: +12 ~ 15V.; P2: +24 V; P3: AC220V; P4: customize)
0*代表输出: 01: 0~5V; 02: 0~20mA; 03: 4~20mA; 04: 自定义
(0* : output; 01: 0 ~ 5V; 02: 0 ~ 20mA; 03: 4 ~ 20mA; 04: customize)
D 代表 35mm 导轨安装方式外壳
(D: 35mm DIN Installation method)
- 2、传感器的输出幅度可根据用户需要进行适当调节
(The amplitude of the output of the transducer can be appropriately adjusted according to user needs.)
- 3、可按用户需求定制不同额定输入和输出的传感器
(Custom different rated input and the output of the transducer)
- 4、电压输出型负载 $\geq 10K\Omega$, 电流输出型 $\leq 500\Omega$
(The voltage output load $\geq 10K\Omega$, current output type $\leq 500\Omega$)