

## HZ-3AV-D系列三相交流电压变送器

### (HZ-3AV-D Series three-phase AC voltage isolation transducer)

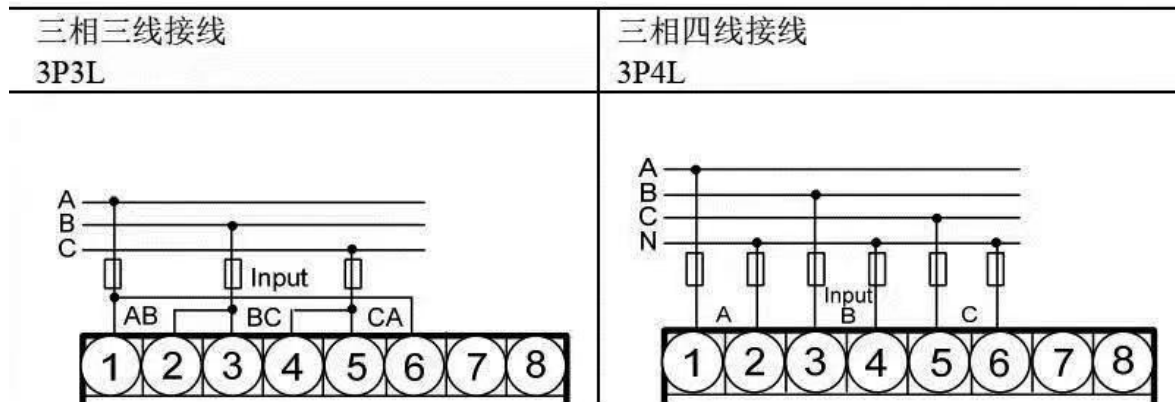
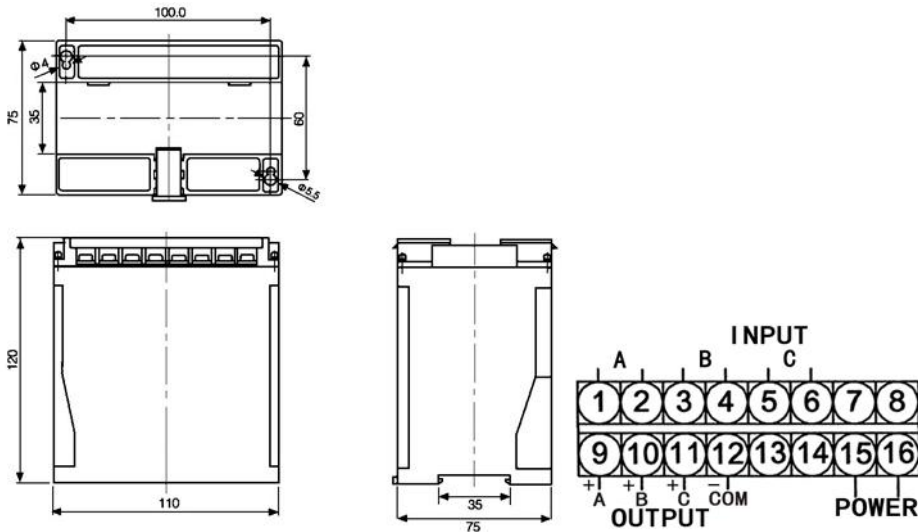
HZ-3AV-D 系列三相交流电压变送器的初、次级之间是绝缘的，可用于测量三相交流电压。

(HZ-3AV-D Series three-phase AC voltage transducer between primary and secondary is insulated, can be used for the measurement of three-phase AC voltage)

电气参数 (Electrical characteristics)					
	型号 Type	HZ100-3AV-D	HZ380-3AV-D	HZ500-3AV-D	
V <sub>pn</sub>	额定输入电压 (AC) Rated input	100	380	500	V
V <sub>pm</sub>	测量电压范围 (AC) Measuring range	120	460	600	V
R <sub>m</sub>	测量电阻 Measuring resistance	0-500			Ω
I <sub>out</sub>	输出电流 Rated output current	4~20 (0~5V 可选)			mA
I <sub>o</sub>	零电流失调 Zero offset current	$< 4 \pm 0.1$			mA
V <sub>c</sub>	供电电压 Supply voltage	$+24 \pm 5\%$			V
I <sub>c</sub>	静态功耗 Current consumption	$\leq 50 + I_{out}$			mA
I <sub>ot</sub>	零点温漂 Thermal drift of I <sub>o</sub>	$\leq \pm 0.005$			mA/°C
F	带宽 Frequency bandwidth (-3dB)	20~3000			Hz
ε <sub>G</sub>	精度 Accuracy	0.5			%
ε <sub>L</sub>	线性度 Linearity	0.1			%

Tr	响应时间 Response time	$\leq 200$	mS
Vd	绝缘电压 Insulation voltage	2.0	KV
Ta	工作温度 Ambient operating temperature	-10~+60	°C
Ts	储存温度 Ambient storage temperature	-25~+70	°C
M	重量 mass	350	g
	标准 Standards	GB/T 13850-1998\IEC688:1992\UL94-Vo\ROHS	

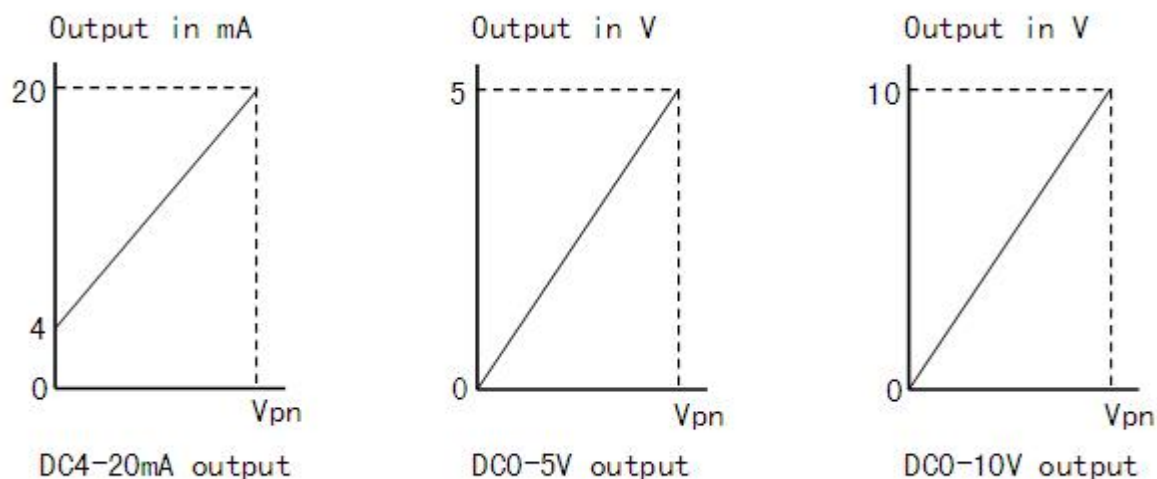
机械参数 Dimensions (mm)



端子标准: 5.08mm, 16pin 接线式连接器

## 线性关系 (Linear)

---



## 使用说明 Remarks

---

### 1、产品命名: HZ\*\*-3AV-P\*0\*D

(Product name: HZ \*\*-3AV-P \* 0 \* D)

HZ 代表品牌 \*\*代表输入电压

(HZ : brand ; \*\*: input voltage)

3AV: 测量三相交流电压

(3AV: Measuring three-phase AC voltage)

P\*代表电源: P1: +12~15V; P2: +24V; P3: AC220V; P4: 自定义

(P\* : power supply; P1: +12 ~ 15V.; P2: +24 V; P3: AC220V; P4: customize)

0\*代表输出: 01: 0~5V; 02: 0~20mA; 03: 4~20mA; 04: 自定义

(0\* : output; 01: 0 ~ 5V; 02: 0 ~ 20mA; 03: 4 ~ 20mA; 04: customize)

D 代表 35mm 导轨安装方式外壳

(D: 35mm DIN Installation method)

### 2、传感器的输出幅度可根据用户需要进行适当调节

(The amplitude of the output of the transducer can be appropriately adjusted according to user needs.)

### 3、可按用户需求定制不同额定输入电压和输出的传感器

(Custom different rated input voltage and the output voltage of the transducer)

### 4、电压输出型负载 $\geq 10K\Omega$ , 电流输出型 $\leq 500\Omega$

(The voltage output load  $\geq 10K\Omega$ , current output type  $\leq 500\Omega$ )