

HKA—Y1系列霍尔电流传感器

(HKA—Y1 Hall-effect Current Sensor Series)

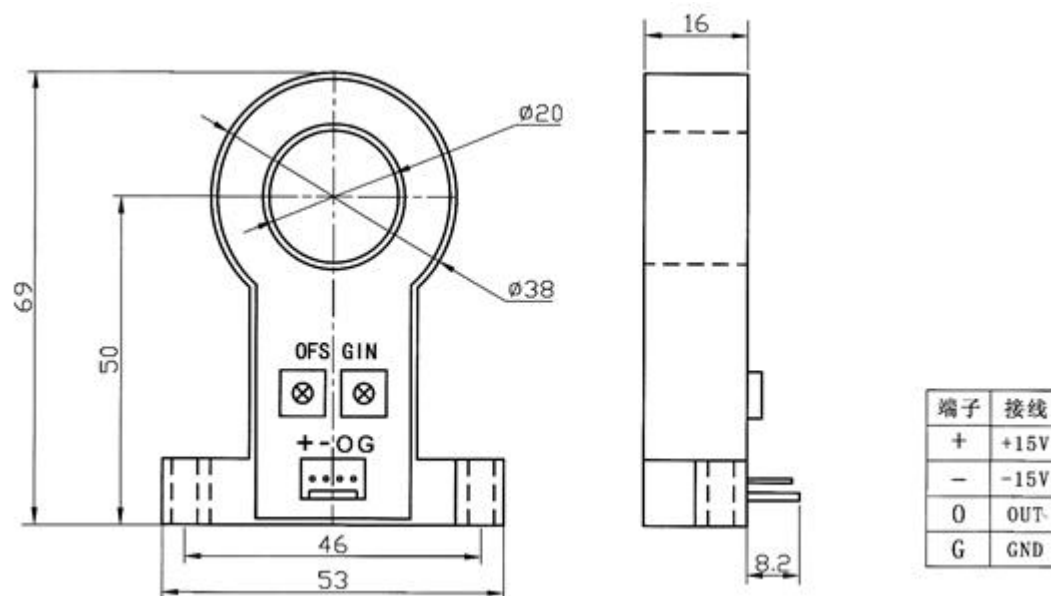
HKA—Y1 系列霍尔电流传感器的初、次级之间是绝缘的，可用于测量直流、交流和脉冲电流。

(HKA—Y1 Series Hall-effect Current Sensor between primary and secondary is insulated, can be used for the measurement of DC, AC and pulse current)

电气参数 (Electrical characteristics)							
	型号 Type	HKA50—Y1	HKA100—Y1	HKA200—Y1	HKA400—Y1	HKA600—Y1	A
I _{pn}	额定输入电流 Rated input	50	100	200	400	600	A
I _{pm}	测量电流范围 Measuring range	100	200	400	800	1200	A
V _{out}	输出电压 Rated output voltage	4					V
V _o	零电压失调 Zero offset voltage	< ±25					mV
V _{om}	磁失调电压 Magnetic offset voltage	≤ ±25					mV
R _L	负载电阻 Load resistance	≥ 10					K Ω
V _c	电源电压 Supply voltage	±15 ±5%					V
I _c	静态功耗 Current consumption	≤ 25					mA
V _{ot}	零点温漂 Thermal drift of V _o	≤ ±0.5					mV/°C
F	带宽 Frequency bandwidth(-3dB)	DC~20					KHz
ε _G	精度 Accuracy	±1					%
ε _L	线性度 Linearity	±1					%
T _r	响应时间 Response time	≤ 7					μ S
V _d	绝缘电压 Insulation voltage	2.5					KV
T _a	工作温度 Ambient operating temperature	-40~+85					°C
T _s	储存温度 Ambient storage temperature	-40~+125					°C
M	重量 mass	68					g

标准 Standards	EN50178\IEC61010-1\UL94-Vo\ROHS
--------------	---------------------------------

机械参数 Dimensions (mm)



引脚说明: 1, +15V 2, -15V 3, Vout 4, 0V

端子标准: 3.52mm, 4pin 插接端子 (可选电缆输出)

OFS, 零点调节 GIN, 幅度调节

使用说明 Remarks

- 1、应用: 通讯电源、不间断电源UPS、斩波器、电化学、整流、电源监测、电焊机、变频、开关电源、电池监测、电动机监测等领域。Application: communication power supply, uninterruptible power supply UPS chopper, electrochemical, rectifier, power monitoring, welding machines, inverter, switching power supply, battery monitoring, motor monitoring fields.
- 2、传感器的输出幅度可根据用户需要进行适当调节。The amplitude of the output of the sensor can be appropriately adjusted according to user needs.
- 3、可按用户需求定制不同额定输入电流和输出电压的传感器。Custom different rated input current and the output voltage of the sensor.