

## HKA—K5Y系列开合霍尔电流传感器

### (HKA-K5Y Hall-effect Current Sensor Series)

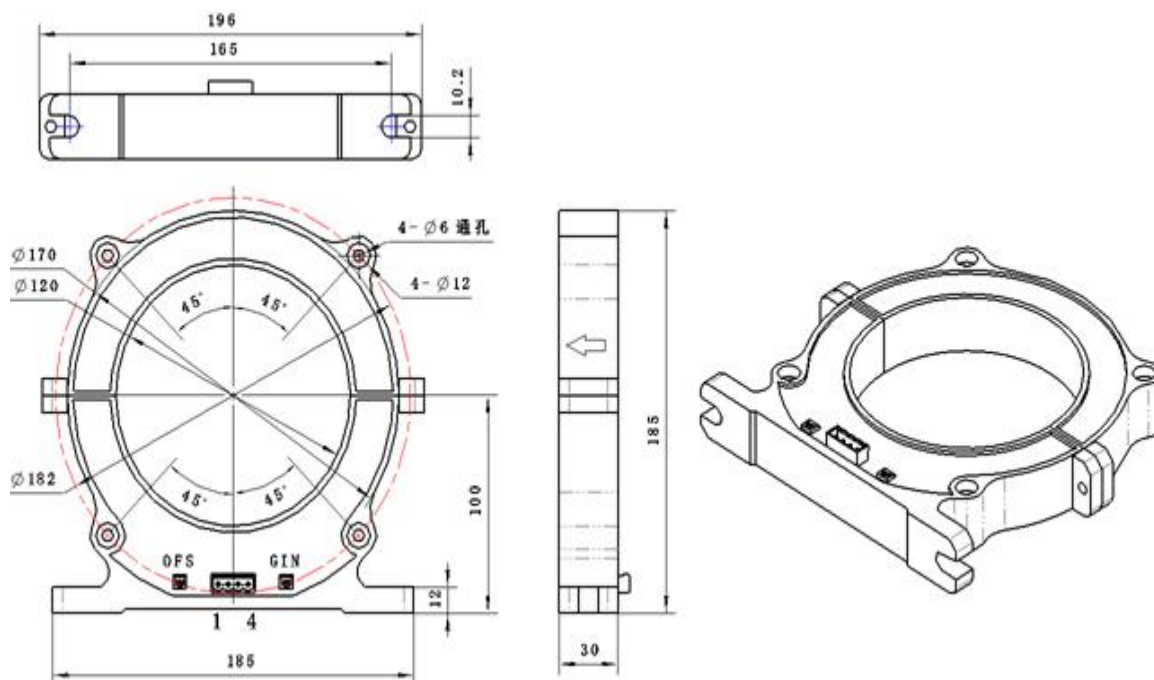
HKA-K5Y 系列霍尔电流传感器的初、次级之间是绝缘的，可用于测量直流、交流和脉冲电流。

(HKA-K5Y Series Hall-effect Current Sensor between primary and secondary is insulated, can be used for the measurement of DC, AC and pulse current)

电气参数 (Electrical characteristics)						
	型号 Type	HKA10000 -K5Y	HKA20000 -K5Y	HKA50000 -K5Y	HKA8000 0-K5Y	A
I <sub>pn</sub>	额定输入电流 Rated input	10000	20000	50000	80000	A
I <sub>pm</sub>	测量电流范围 Measuring range	12000	24000	60000	84000	A
V <sub>out</sub>	输出电压 Rated output voltage	4				V
V <sub>o</sub>	零电压失调 Zero offset voltage	< ±25				mV
V <sub>om</sub>	磁失调电压 Magnetic offset voltage	≤ ±25				mV
R <sub>L</sub>	负载电阻 Load resistance	≥ 10				K Ω
V <sub>c</sub>	电源电压 Supply voltage	± 15 ± 5%				V
I <sub>c</sub>	静态功耗 Current consumption	≤ 50				mA
V <sub>ot</sub>	零点温漂 Thermal drift of V <sub>o</sub>	≤ ± 0.5				mV/°C
F	带宽 Frequency bandwidth(-3dB)	DC~10				KHz
ε <sub>G</sub>	精度 Accuracy	± 1				%
ε <sub>L</sub>	线性度 Linearity	± 1				%
T <sub>r</sub>	响应时间 Response time	≤ 7				μ S
V <sub>d</sub>	绝缘电压 Insulation voltage	6				KV
T <sub>a</sub>	工作温度 Ambient operating temperature	-40~+85				°C
T <sub>s</sub>	储存温度 Ambient storage temperature	-40~+125				°C
M	重量 mass	1200				g

标准 Standards	EN50178\IEC61010-1\UL94-Vo\ROHS
--------------	---------------------------------

## 机械参数 Dimensions (mm)



引脚说明: 1, +15V 2, -15V 3, Vout 4, 0V

端子标准: 5.08mm, 4pin 插接端子 (可选电缆输出)

OFS, 零点调节 GIN, 幅度调节

## 使用说明 Remarks

- 1、应用: 通讯电源、不间断电源UPS、斩波器、电化学、整流、电源监测、电焊机、变频、开关电源、电池监测、电动机监测等领域。Application: communication power supply, uninterruptible power supply UPS chopper, electrochemical, rectifier, power monitoring, welding machines, inverter, switching power supply, battery monitoring, motor monitoring fields.
- 2、传感器的输出幅度可根据用户需要进行适当调节。The amplitude of the output of the sensor can be appropriately adjusted according to user needs.
- 3、可按用户需求定制不同额定输入电流和输出电压的传感器。Custom different rated input current and the output voltage of the sensor.