

HKA—K2YDA系列霍尔电流变送器

(HKA—K2YDA Hall-effect Current Transducer Series)

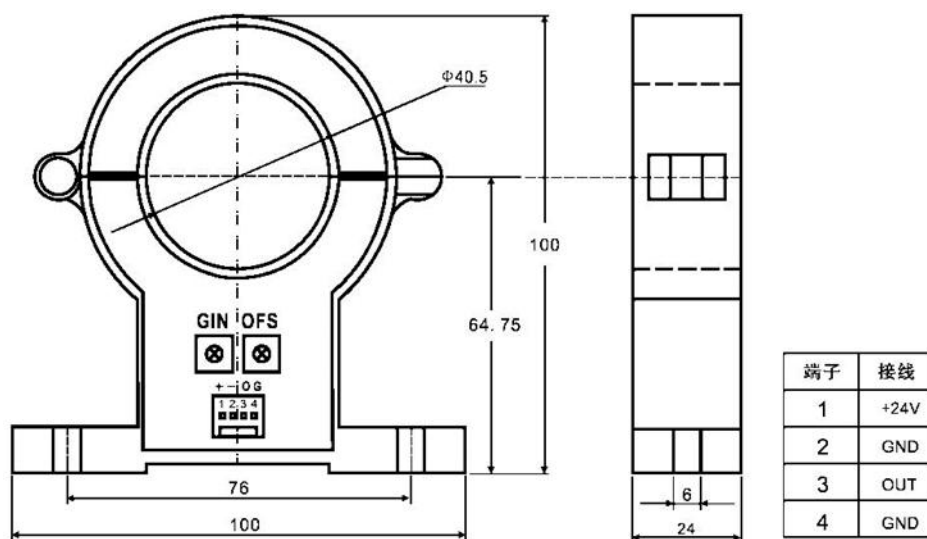
HKA—K2YDA 系列霍尔电流传感器的初、次级之间是绝缘的，可用于测量交流电流。

(HKA—K2YDA Series Hall-effect Current transducer between primary and secondary is insulated, can be used for the measurement of AC current)

电气参数 (Electrical characteristics)							
	型号 Type	HKA200 - K2YDA	HKA500 - K2YDA	HKA800 - K2YDA	HKA1000 - K2YDA	HKA2000 - K2YDA	
I _{pn}	额定输入电流 (AC) Rated input	200	500	800	1000	2000	A
I _{pm}	测量电流范围 (AC) Measuring range	400	1000	1600	2000	4000	A
R _m	测量电阻 Measuring resistance	0~400					Ω
I _{out}	输出电流 Rated output current	4~20					mA
I _o	零电流失调 Zero offset current	<4±0.1					mA
V _c	电源 Supply voltage	+24±5%					V
I _c	静态功耗 Current consumption	≤40+I _{out}					mA
I _{ot}	零点温漂 Thermal drift of I _o	≤±0.005					mA/°C
F	带宽 Frequency bandwidth (-3 dB)	20~20000					Hz
ε _G	精度 Accuracy	1					%
ε _L	线性度 Linearity	1					%

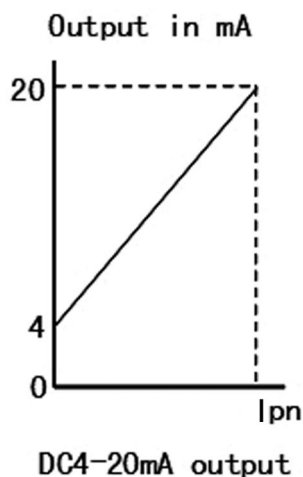
Tr	响应时间 Response time	≤200	mS
Vd	绝缘电压 Insulation voltage	2.5	KV
Ta	工作温度 Ambient operating temperature	-40~+85	°C
Ts	储存温度 Ambient storage temperature	-40~+125	°C
M	重量 mass	310	g
	标准 Standards	EN50178\IEC61010-1\UL94-Vo\ROHS	

机械参数 Dimensions (mm)



引脚说明: +: +24V; G: 电源地; 0: lout; G: 输出地
端子标准: 3.52mm, 4pin 插接端子

线性关系 (Linear)



使用说明 Remarks

- 1、应用：通讯电源、不间断电源UPS、斩波器、电化学、整流、电源监测、电焊机、变频、开关电源、电池监测、电动机监测等领域。Application: communication power supply, uninterruptible power supply UPS chopper, electrochemical, rectifier, power monitoring, welding machines, inverter, switching power supply, battery monitoring, motor monitoring fields.
- 2、传感器的输出幅度可根据用户需要进行适当调节。The amplitude of the output of the sensor can be appropriately adjusted according to user needs.
- 3、可按用户需求定制不同额定输入电流和输出电压的传感器。Custom different rated input current and the output voltage of the sensor.
- 4、当待测电流从变送器穿过，即可在输出端测得电流大小。（注意：错误的接线可能导致变送器损坏）When the current to be measured is across from the transmitter can be measured at the output current size. (Note: incorrect wiring may cause transmitter damage)