

HKA—K2Y系列霍尔电流传感器

(HKA-K2Y Hall-effect Current Sensor Series)

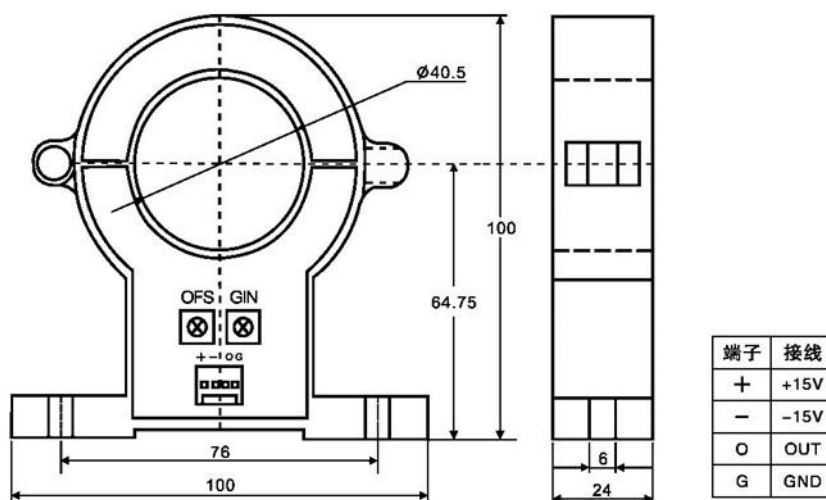
HKA-K2Y 系列霍尔电流传感器的初、次级之间是绝缘的，可用于测量直流、交流和脉冲电流。

(HKA-K2Y Series Hall-effect Current Sensor between primary and secondary is insulated, can be used for the measurement of DC, AC and pulse current)

电气参数 (Electrical characteristics)							
	型号 Type	HKA200 -K2Y	HKA400 -K2Y	HKA600 -K2Y	HKA800 -K2Y	HKA1000 -K2Y	A
I _{pn}	额定输入电流 Rated input	200	400	600	800	1000	A
I _{pm}	测量电流范围 Measuring range	400	800	1200	1600	2000	A
V _{out}	输出电压 Rated output voltage	4					V
V _o	零电压失调 Zero offset voltage	< ±25					mV
V _{om}	磁失调电压 Magnetic offset voltage	≤ ±25					mV
RL	负载电阻 Load resistance	≥ 10					K Ω
V _c	电源电压 Supply voltage	± 15 ± 5%					V
I _c	静态功耗 Current consumption	≤ 25					mA
V _{ot}	零点温漂 Thermal drift of V _o	≤ ±0.5					mV/°C
F	带宽 Frequency bandwidth(-3dB)	DC~20					KHz
ε _G	精度 Accuracy	± 1					%
ε _L	线性度 Linearity	± 1					%
Tr	响应时间 Response time	≤ 7					μ S
V _d	绝缘电压 Insulation voltage	2.5					KV
T _a	工作温度 Ambient operating temperature	-40~+85					°C
T _s	储存温度 Ambient storage temperature	-40~+125					°C
M	重量 mass	310					g

标准 Standards	EN50178\IEC61010-1\UL94-Vo\ROHS
--------------	---------------------------------

机械参数 Dimensions (mm)



引脚说明: 1, +15V 2, -15V 3, Vout 4, 0V

端子标准: 3.52mm, 4pin 插接端子 (可选电缆输出)

OFS, 零点调节 GIN, 幅度调节

使用说明 Remarks

- 1、应用: 通讯电源、不间断电源UPS、斩波器、电化学、整流、电源监测、电焊机、变频、开关电源、电池监测、电动机监测等领域。Application: communication power supply, uninterruptible power supply UPS chopper, electrochemical, rectifier, power monitoring, welding machines, inverter, switching power supply, battery monitoring, motor monitoring fields.
- 2、传感器的输出幅度可根据用户需要进行适当调节。The amplitude of the output of the sensor can be appropriately adjusted according to user needs.
- 3、可按用户需求定制不同额定输入电流和输出电压的传感器。Custom different rated input current and the output voltage of the sensor.