

## HCA—YS3系列直流漏电流传感器

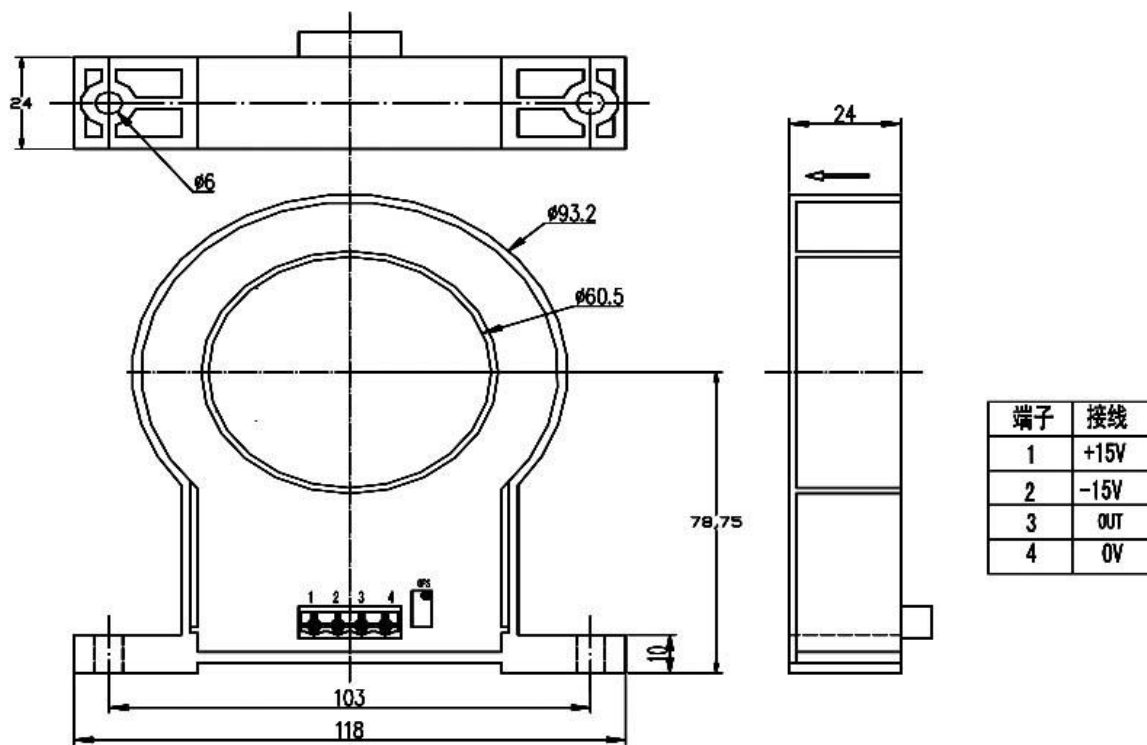
### (HCA-YS3 series DC Leakage current sensor)

HCA-YS3 系列直流漏电流传感器是应用磁调制原理研制而成的一种新型电流传感器，其输出的稳定性好，初、次级之间高度绝缘，用于讯号系统、线路检测、电监测系统等直流漏电流测量。  
( HCA-YS3 series of DC Leakage current sensor application of magnetic modulation principle from the development of a new type of current sensor, output stability between primary and secondary highly insulated for signaling systems, line detection, electrical monitoring DC Leakage current measurement.)

电气参数 (Electrical characteristics)								
	型号 Type	HCA10 -YS3	HCA20 -YS3	HCA50 -YS3	HCA100 -YS3	HCA200 -YS3	HCA500 -YS3	
I <sub>pn</sub>	额定输入电流 (DC) Rated input	±10	±20	±50	±100	±200	±500	mA
I <sub>pm</sub>	测量电流范围 (DC) Measuring range	±20	±40	±100	±200	±400	±1000	mA
R <sub>L</sub>	负载电阻 Load resistance	≥10						K Ω
V <sub>out</sub>	输出电压 Rated output voltage	±5						V
V <sub>o</sub>	零电压失调 Zero offset voltage	< ±50						mV
V <sub>c</sub>	电源电压 Supply voltage	±15 ±5%						V
I <sub>c</sub>	静态功耗 Current consumption	≤60						mA
I <sub>ot</sub>	零点温漂 Thermal drift of I <sub>o</sub>	≤±1.5						mV/°C
F	带宽 Frequency bandwidth (-3 dB)	DC						Hz

$\varepsilon G$	精度 Accuracy	1	%
$\varepsilon L$	线性度 Linearity	1	%
Tr	响应时间 Response time	$\leq 200$	mS
Vd	绝缘电压 Insulation voltage	2.5	KV
Ta	工作温度 Ambient operating temperature	-25~+70	°C
Ts	储存温度 Ambient storage temperature	-40~+85	°C
M	重量 mass		g
	标准 tandards	EN50178\IEC61010-1\UL94-Vo\ROHS	

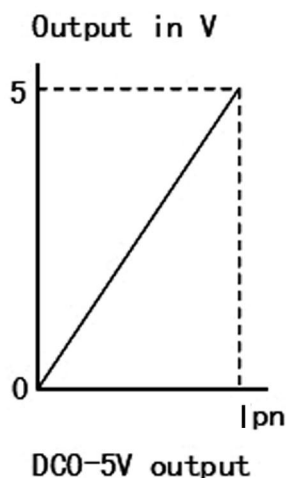
机械参数 Dimensions (mm)



端子标准: 5.08mm, 4pin 插接端子

## 线性关系 (Linear)

---



### 使用说明 Remarks

---

- 1、应用：通讯电源、不间断电源UPS、斩波器、电化学、整流、电源监测、电焊机、变频、开关电源、电池监测、电动机监测等领域。Application: communication power supply, uninterruptible power supply UPS chopper, electrochemical, rectifier, power monitoring, welding machines, inverter, switching power supply, battery monitoring, motor monitoring fields.
- 2、传感器的输出幅度可根据用户需要进行适当调节。The amplitude of the output of the sensor can be appropriately adjusted according to user needs.
- 3、可按用户需求定制不同额定输入电流和输出电压的传感器。Custom different rated input current and the output voltage of the sensor.
- 4、当待测电流从传感器穿过，即可在输出端测得电流大小。（注意：错误的接线可能导致传感器损坏）When the current to be measured is across from the sensor can be measured at the output current size. (Note: incorrect wiring may cause sensor damage)