

HBA—GP系列霍尔电流传感器

(HBA—GP Hall-effect Current Sensor Series)

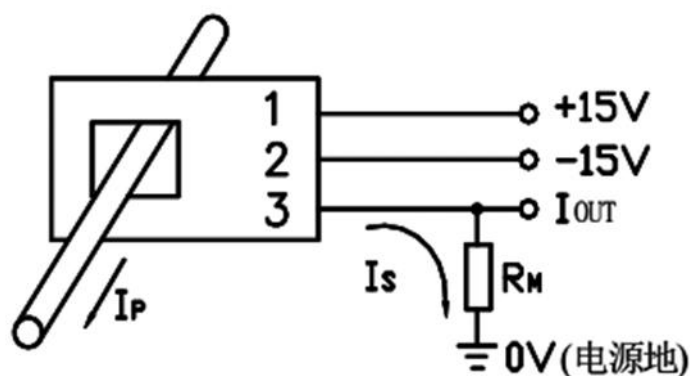
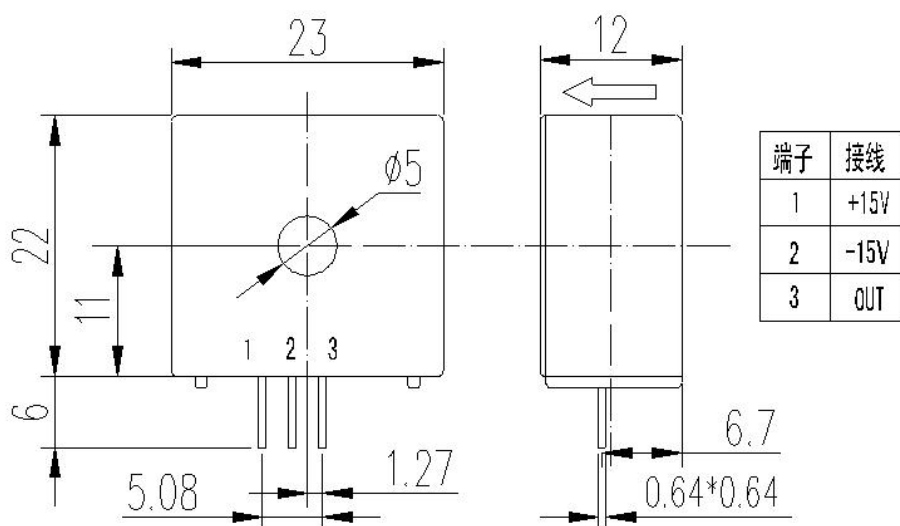
HBA—GP 系列霍尔电流传感器的初、次级之间是绝缘的，可用于测量直流、交流和脉冲电流。

(HBA—GP Series Hall-effect Current Sensor between primary and secondary is insulated, can be used for the measurement of DC, AC and pulse current)

电气参数 (Electrical characteristics)				
	型号 Type	HBA20—GP	HBA50—GP	A
I _{pn}	额定输入电流 Rated input	20	50	A
I _{pm}	测量电流范围 Measuring range	40	80	A
R _m	测量电阻 Measuring resistance	@±40A _{max} 200(max)	@±80A _{max} 135(max)	Ω
K _N	匝比 Turns ratio	1: 1000	1: 2000	
I _{out}	输出电流 Rated output current	20	25	mA
R _s	次级线圈内阻 Secondary coil resistance	55	120	Ω
I _o	零电流失调 Zero offset current	<0.2		mA
V _c	供电电源 Supply voltage	±15±5%		V
I _c	静态功耗 Current consumption	≤25+I _{out}		mA
I _{ot}	零点温漂 Thermal drift of I _o	-40~+85℃	±0.5	mA
F	带宽 Frequency bandwidth(-3dB)	DC~200		KHz
ε _G	精度 Accuracy	±0.5		%
ε _L	线性度 Linearity	±0.1		%
di/dt	跟随精度 Accurately followed	>50		A/μS

Tr	响应时间 Response time	≤ 1	μS
Vd	绝缘电压 Insulation voltage	3.0	KV
Ta	工作温度 Ambient operating temperature	-40~+85	$^{\circ}C$
Ts	储存温度 Ambient storage temperature	-40~+125	$^{\circ}C$
M	重量 mass	20	g
	标准 Standards	EN50178\IEC61010-1\UL94-Vo\ROHS	

机械参数 Dimensions (mm)



插针标准: 0.64*0.64mm, 3pin

引脚说明: +, +15V -, -15V M, Iout

使用说明 Remarks

- 1、应用：通讯电源、不间断电源UPS、斩波器、电化学、整流、电源监测、电焊机、变频、开关电源、电池监测、电动机监测等领域。Application: communication power supply, uninterruptible power supply UPS chopper, electrochemical, rectifier, power monitoring, welding machines, inverter, switching power supply, battery monitoring, motor monitoring fields.
- 2、传感器的输出幅度可根据用户需要进行适当调节。The amplitude of the output of the sensor can be appropriately adjusted according to user needs.
- 3、可按用户需求定制不同额定输入电流和输出电压的传感器。Custom different rated input current and the output voltage of the sensor.