

HBA—SP系列霍尔电流传感器

(HBA-SP Hall-effect Current Sensor Series)

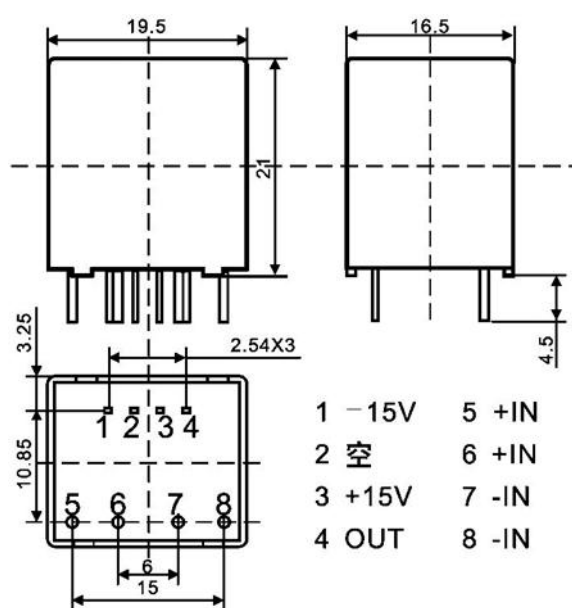
HBA-SP 系列霍尔电流传感器的初、次级之间是绝缘的，可用于测量直流、交流和脉冲电流。

(HBA-SP Series Hall-effect Current Sensor between primary and secondary is insulated, can be used for the measurement of DC, AC and pulse current)

电气参数 (Electrical characteristics)								
	型号 Type	HBA5- SP	HBA10- SP	HBA15- SP	HBA30- SP	HBA50 -SP		
I _{pn}	额定输入电流 Rated input	5	10	15	30	50	A	
I _{pm}	测量电流范围 Measuring range	10	20	30	60	100	A	
R _m	测量电阻 Measuring resistance	200-400						Ω
K _N	匝比 Turns ratio	4: 1000	2: 1000	2: 1500	1: 1500	1: 2500		
I _{out}	输出电流 Rated output current	20						mA
R _s	输入管脚尺寸 Input pin size	φ 0.8	φ 1.0	φ 1.0	φ 1.6	2×□ 1.6× 1.5		
I _o	零电流失调 Zero offset current	<0.2						mA
V _c	电源电压 Supply voltage	±15±5%						V
I _c	静态功耗 Current consumption	≤10+I _{out}						mA
I _{ot}	零点温漂 Thermal drift of I _o	≤0.005						mA/°C
F	带宽 Frequency bandwidth(-3dB)	DC~150						KHz
ε _G	精度 Accuracy	±0.5						%
ε _L	线性度 Linearity	±0.1						%
di/dt	跟随精度 Accurately followed	>50						A/μS
Tr	响应时间 Response time	≤1						μS

Vd	绝缘电压 Insulation voltage	5.0	KV
Ta	工作温度 Ambient operating temperature	-40~+85	°C
Ts	储存温度 Ambient storage temperature	-40~+125	°C
M	重量 mass	15	g
	标准 Standards	EN50178\IEC61010-1\UL94-Vo\ROHS	

机械参数 Dimensions (mm)



功能管脚：4个（1234），尺寸为 0.25*0.5mm

使用说明 Remarks

- 1、应用：通讯电源、不间断电源UPS、斩波器、电化学、整流、电源监测、电焊机、变频、开关电源、电池监测、电动机监测等领域。Application: communication power supply, uninterruptible power supply UPS chopper, electrochemical, rectifier, power monitoring, welding machines, inverter, switching power supply, battery monitoring, motor monitoring fields.
- 2、传感器的输出幅度可根据用户需要进行适当调节。The amplitude of the output of the sensor can be appropriately adjusted according to user needs.
- 3、可按用户需求定制不同额定输入电流和输出电压的传感器。Custom different rated input current and the output voltage of the sensor.