

HBA—NP系列霍尔电流传感器

(HBA—NP Hall-effect Current Sensor Series)

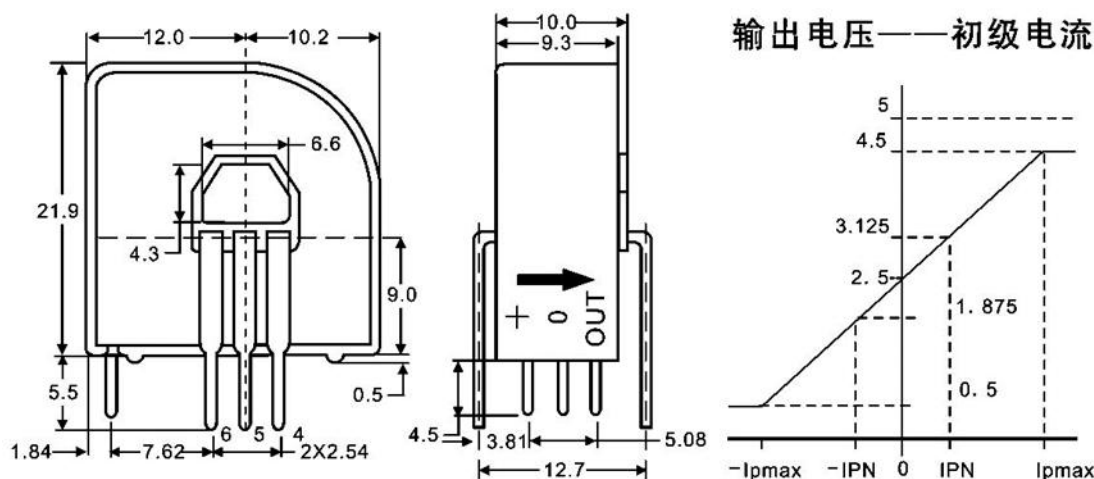
HBA—NP 系列霍尔电流传感器的初、次级之间是绝缘的，可用于测量直流、交流和脉冲电流。

(HBA—NP Series Hall-effect Current Sensor between primary and secondary is insulated, can be used for the measurement of DC, AC and pulse current)

电气参数 (Electrical characteristics)					
	型号 Type	HBA6—NP	HBA25—NP	HBA50—NP	
I _{pn}	额定输入电流 Rated input	6	25	50	A
I _{pm}	测量电流范围 Measuring range	19.2	80	150	A
R _m	内接测量电阻 Measuring resistance	100	50	25	Ω
K _N	匝比 Turns ratio	1: 960	1: 2000	1: 2000	
V _{out}	输出电压 Rated output voltage	2.5±0.625 (1.65±0.625, @+3.3V)			V
V _o	零电压失调 Zero offset voltage	<20			mV
V _c	电源电压 Supply voltage	5±5% (3.3V 可选)			V
I _c	静态功耗 Current consumption	≤15			mA
I _{ot}	零点温漂 Thermal drift of I _o	≤0.05			mV/°C
F	带宽 Frequency bandwidth(-3dB)	DC~200			KHz
ε G	精度 Accuracy	±0.5			%
ε L	线性度 Linearity	±0.1			%
di/dt	跟随精度 Accurately followed	>50			A/μS
Tr	响应时间 Response time	≤1			μS
V _d	绝缘电压 Insulation voltage	2.5			KV
T _a	工作温度 Ambient operating temperature	-40~+85			°C

Ts	储存温度 Ambient storage temperature	-40~+125	°C
M	重量 mass	10	g
	标准 Standards	EN50178\IEC61010-1\UL94-Vo\ROHS	

机械参数 Dimensions (mm)



接线图

匝数	初级额定电流 IPN[A]	额定输出电压 VOUT[V]	初级额定电阻 [mΩ]	初级额定电感 [uH]	连接点
1	±6(±25, ±50)	2.5±0.625	0.18	0.013	
2	±3(±12.5, ±25)	2.5±0.625	0.81	0.05	
3	±2(±8.3, ±16.6)	2.5±0.625	1.62	0.12	

功能管脚尺寸：3Pin(1234)，尺寸为 0.3*0.5mm

安装管脚尺寸：6Pin，尺寸为 0.8*0.9mm

使用说明 Remarks

- 应用：通讯电源、不间断电源UPS、斩波器、电化学、整流、电源监测、电焊机、变频、开关电源、电池监测、电动机监测等领域。Application: communication power supply, uninterruptible power supply UPS chopper, electrochemical, rectifier, power monitoring, welding machines, inverter, switching power supply, battery monitoring, motor monitoring fields.
- 传感器的输出幅度可根据用户需要进行适当调节。The amplitude of the output of the sensor can be appropriately adjusted according to user needs.
- 可按用户需求定制不同额定输入电流和输出电压的传感器。Custom different rated input current and the output voltage of the sensor.